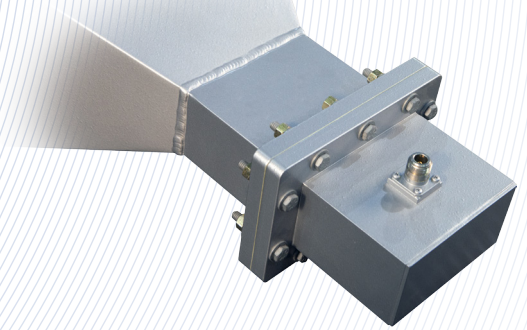


MI-211 Family of Coax-to-Waveguide Adapters

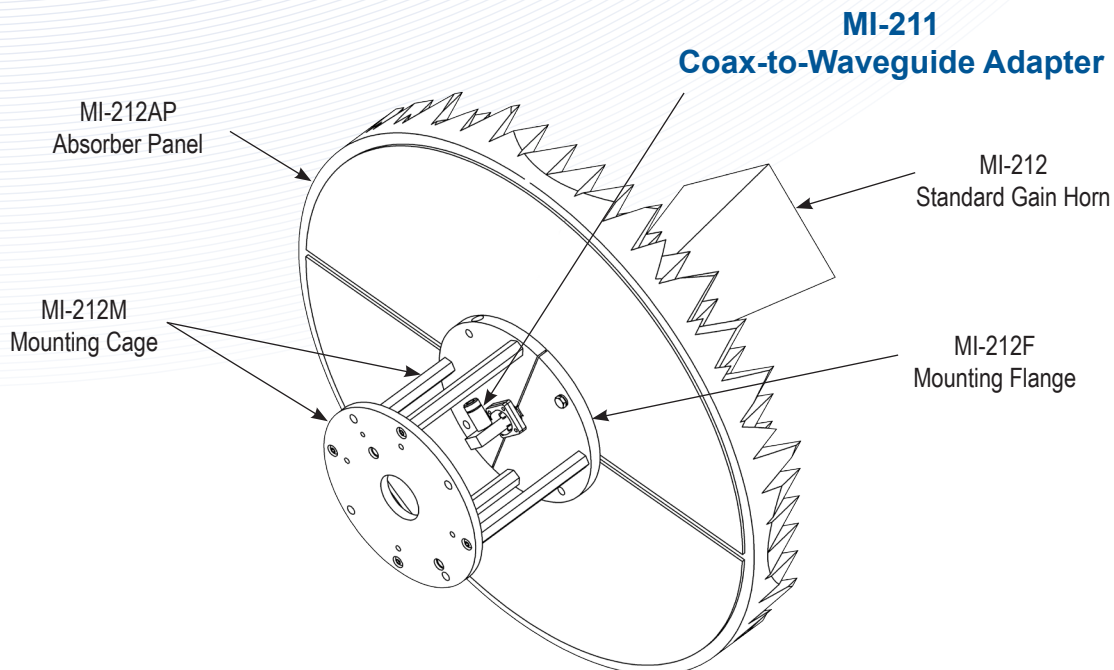


MI Technologies' MI-211 Family of Coax-to-Waveguide Adapters offers a convenient transition between waveguide and coaxial transmission lines. Coverage from 320 MHz to 90 GHz is available in commonly used waveguide bands.

Each unit has a waveguide cover flange interface and a connector. All flange interfaces are compatible with MI Technologies' family of MI-212 Standard Gain Horns and all of MI Technologies' probes and feeds.

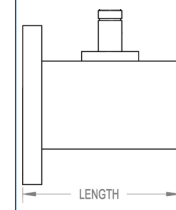
- Covers waveguide bandwidths from 350 MHz to 90 GHz
- All flange interfaces are compatible with the MI-212 Family of Standard Gain Horns and all of MI Technologies' probes and feeds
- Ideal for use with our Standard Gain Horns and Feeds, offering a convenient transition between waveguide and coaxial transmission line

Graphic Example of MI-211 Application Option



Specifications

Model	Frequency Range (GHz)	Material	Waveguide Type	Cover Flange		Max VSWR	Length - in. (cm.)*	Weight - lbs (kg)*		RF Connector
				Type or Equivalent	Geometry			Net	Ship	
MI-211-0.32	0.32 – 0.49	Aluminum	WR-2300	CPR2300F	Rectangle	1.25:1	15.0 (38.1)	36 (17)	46 (20)	N
MI-211-0.35	0.35 – 0.53	Aluminum	WR-2100	CPR2100F	Rectangle	1.25:1	13.8 (34.9)	20 (9)	30 (14)	N
MI-211-0.41	0.41 – 0.625	Aluminum	WR-1800	CPR1800F	Rectangle	1.25:1	11.6 (29.3)	18 (8)	28 (13)	N
MI-211-0.49	0.49 – 0.75	Aluminum	WR-1500	CPR1500F	Rectangle	1.25:1	11.0 (28)	12 (6)	20 (9)	N
MI-211-0.64	0.64 – 0.96	Aluminum	WR-1150	CPR1150F	Rectangle	1.25:1	10.2 (25.9)	9 (4.1)	14 (6)	N
MI-211-0.75	0.75 – 1.12	Aluminum	WR-975	CPR975F	Rectangle	1.25:1	8.6 (21.9)	7 (3.2)	12 (6)	N
MI-211-0.96	0.96 – 1.45	Aluminum	WR-770	CPR770F	Rectangle	1.25:1	6.2 (15.8)	5 (2.3)	8 (3.6)	N
MI-211-1.1	1.12 – 1.70	Aluminum	WR-650	CPR650F	Rectangle	1.25:1	5.8 (14.6)	3 (1.4)	5 (2.3)	N
MI-211-1.4	1.45 – 2.20	Aluminum	WR-510	CPR510F	Rectangle	1.25:1	5.0 (12.7)	2 (0.9)	3 (1.5)	N
MI-211-1.7	1.70 – 2.60	Aluminum	WR-430	CPR430F	Rectangle	1.25:1	4.2 (10.7)	1.5 (0.6)	3 (1.5)	N
MI-211-2.2	2.20 – 3.30	Aluminum	WR-340	CPR340F	Rectangle	1.25:1	3.5 (8.9)	1 (0.5)	2 (1)	N
MI-211-2.6A	2.60 – 3.95	Aluminum	WR-284	MDL F284ABC	Round	1.25:1	3.4 (8.6)	1 (0.5)	2 (1)	N
MI-211-2.6B	2.60 – 3.95	Brass	WR-284	MDL F284BBC	Round	1.25:1	3.4 (8.6)	1 (0.5)	2 (1)	N
MI-211-3.3A	3.30 – 4.90	Aluminum	WR-229	CPR229F (AL)	Rectangle	1.25:1	2.6 (6.6)	0.5 (0.2)	1 (0.5)	N
MI-211-3.3B	3.30 – 4.90	Brass	WR-229	CPR229F	Rectangle	1.25:1	2.6 (6.6)	0.5 (0.2)	1 (0.5)	N
MI-211-3.9A	3.95 – 5.85	Aluminum	WR-187	MDL F187ABC	Round	1.25:1	2.5 (6.4)	0.5 (0.2)	1 (0.5)	N
MI-211-3.9B	3.95 – 5.85	Brass	WR-187	MDL F187BBC	Round	1.25:1	2.5 (6.4)	0.5 (0.2)	1 (0.5)	N
MI-211-4.9A	4.90 – 7.05	Aluminum	WR-159	FTC 159.310-3	Round	1.25:1	2.3 (5.8)	0.5 (0.2)	1 (0.5)	N
MI-211-4.9B	4.90 – 7.05	Brass	WR-159	FTC 159.310-4	Round	1.25:1	2.3 (5.8)	0.5 (0.2)	1 (0.5)	N
MI-211-5.8A	5.85 – 8.20	Aluminum	WR-137	MDL F137ABC	Round	1.25:1	1.9 (4.8)	0.5 (0.2)	1 (0.5)	N
MI-211-5.8B	5.85 – 8.20	Brass	WR-137	MDL F137BBC	Round	1.25:1	1.9 (4.8)	0.5 (0.2)	1 (0.5)	N
MI-211-7.0A	7.05 – 10.0	Aluminum	WR-112	M3922/54-012	Square	1.25:1	1.9 (4.8)	0.5 (0.2)	1 (0.5)	N
MI-211-7.0B	7.05 – 10.0	Brass	WR-112	M3922/54-011	Square	1.25:1	1.9 (4.8)	0.5 (0.2)	1 (0.5)	N
MI-211-8.2A	8.20 – 12.4	Aluminum	WR-90	M3922/54-014	Square	1.25:1	1.8 (4.6)	0.5 (0.2)	1 (0.5)	N
MI-211-8.2B	8.20 – 12.4	Brass	WR-90	M3922/54-013	Square	1.25:1	1.8 (4.6)	0.5 (0.2)	1 (0.5)	N
MI-211-10A	10.0 – 15.0	Aluminum	WR-75	M3922/70-017	Square	1.25:1	1.8 (4.6)	0.5 (0.2)	1 (0.5)	N
MI-211-10B	10.0 – 15.0	Brass	WR-75	M3922/70-016	Square	1.25:1	1.8 (4.6)	0.5 (0.2)	1 (0.5)	N
MI-211-12A	12.4 – 18.0	Aluminum	WR-62	M3922/70-020	Square	1.25:1	1.8 (4.6)	0.5 (0.2)	1 (0.5)	N
MI-211-12B	12.4 – 18.0	Brass	WR-62	M3922/70-019	Square	1.25:1	1.8 (4.6)	0.5 (0.2)	1 (0.5)	N
MI-211-15	15.0 – 22.0	Brass	WR-51	M3922/70-022	Square	1.30:1	1.5 (3.8)	0.5 (0.2)	1 (0.5)	2.92 mm
MI-211-18	18.0 – 26.5	Brass	WR-42	M3922/70-027	Square	1.30:1	1.5 (3.8)	0.5 (0.2)	1 (0.5)	2.92 mm
MI-211-22	22.0 – 33.0	Brass	WR-34	FTC 34.310-BRASS	Square	1.30:1	1.5 (3.8)	0.5 (0.2)	1 (0.5)	2.92 mm
MI-211-26	26.5 – 40.0	Brass	WR-28	M3922/68-001	Square	1.30:1	1.5 (3.8)	0.5 (0.2)	1 (0.5)	2.92 mm
MI-211-33	33.0 – 50.0	Brass	WR-22	M3922/67-001	Round	1.30:1	1.5 (3.8)	0.5 (0.2)	1 (0.5)	2.4 mm
MI-211-40	40.0 – 60.0	Brass	WR-19	M3922/67-007	Round	1.40:1	1.5 (3.8)	0.5 (0.2)	1 (0.5)	1.85 mm
MI-211-50	50.0 – 75.0	Brass	WR-15	M3922/67-002	Round	1.40:1	1.0 (2.5)	0.5 (0.2)	1 (0.5)	1.85 mm
MI-211-60	60.0 – 90.0	Brass	WR-12	M3922/67-003	Round	1.60:1	1.0 (2.5)	0.5 (0.2)	1 (0.5)	1.85 mm



*All weights and dimensions are approximate